

Maeda Mini Crawler Cranes

Little cranes with **BIG** ideas



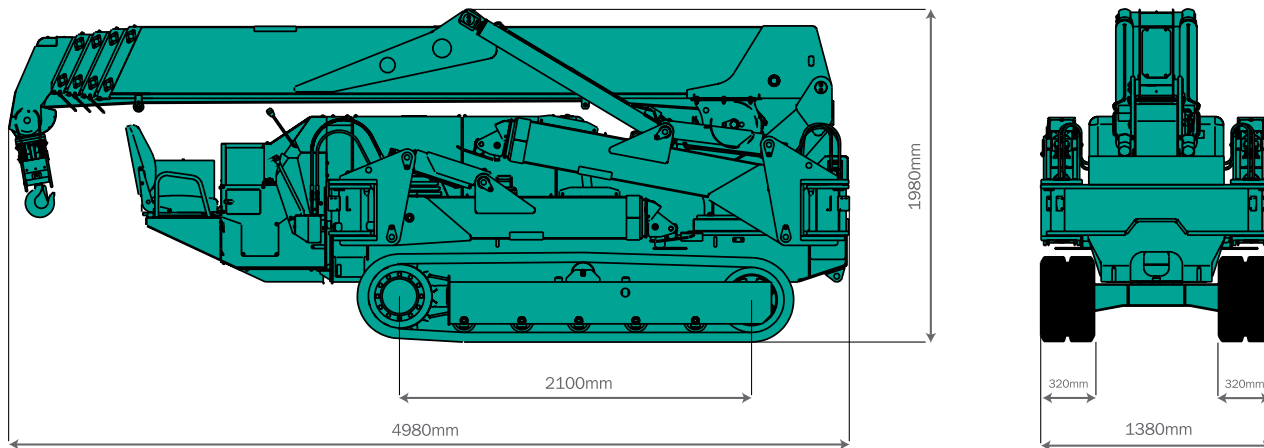
For further details please contact Pace Cranes. Due to improvements, the specifications are subject to change without notice.



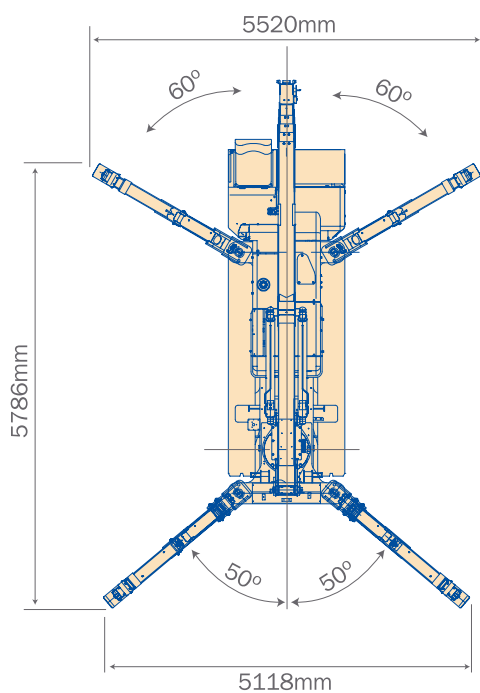
P.A. Construction Equipment P/L
5-7 Lorraine Street,
Peakhurst, NSW 2210
PO Box 377, Mortdale, NSW 2223
Ph: 02 9533 5411
Fx: 02 9533 5585
email: sales@pacecranes.com.au
www.pacecranes.com.au



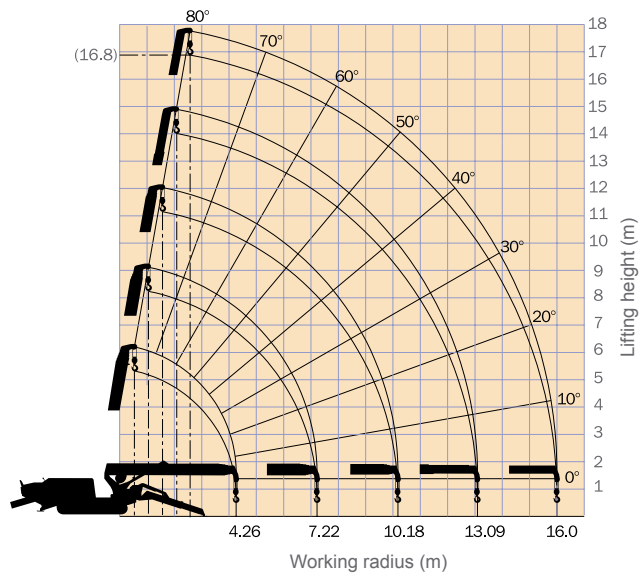
Overall Size



Outrigger Spread Dimensions



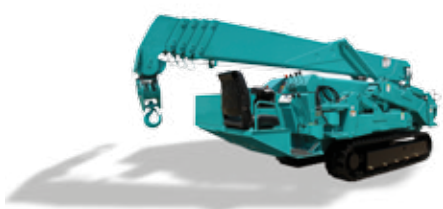
Working Range Chart



The Working Range Chart does not take into account boom deflection under load.

The maximum reach below ground level is:

| Four Fall | Two Fall | Single Fall |
|-----------|----------|-------------|
| 20.50m | 41.00m | 82.00m |



Total rated load (4 falls) Outriggers at Maximum position

| 4.735m/7.695m boom | | 10.655m boom | | 13.565m boom | | 16.475m boom | |
|--------------------|-----------------------|--------------------|-----------------------|--------------------|-----------------------|--------------------|-----------------------|
| Working radius (m) | Total rated load (kg) | Working radius (m) | Total rated load (kg) | Working radius (m) | Total rated load (kg) | Working radius (m) | Total rated load (kg) |
| < 2.7 | 3830 | 3.5 | 3030 | 4.0 | 2230 | 5.0 | 1130 |
| 3.5 | 3030 | 4.0 | 2580 | 4.5 | 1930 | 5.5 | 980 |
| 4.0 | 2580 | 5.0 | 2030 | 5.0 | 1730 | 6.0 | 910 |
| 5.0 | 2030 | 6.0 | 1680 | 6.0 | 1400 | 7.0 | 760 |
| 6.0 | 1680 | 7.0 | 1380 | 7.0 | 1180 | 8.0 | 650 |
| 7.0 | 1380 | 8.0 | 1130 | 8.0 | 1030 | 9.0 | 600 |
| 7.25 | 1330 | 9.0 | 880 | 9.0 | 930 | 10.0 | 550 |
| | | 10.2 | 580 | 10.0 | 830 | 11.0 | 490 |
| | | | | 11.0 | 690 | 12.0 | 440 |
| | | | | 12.0 | 530 | 13.0 | 380 |
| | | | | 13.1 | 430 | 14.0 | 320 |
| | | | | | | 15.0 | 260 |
| | | | | | | 16.0 | 210 |

Total rated load (4 falls) Outriggers at Intermediate position

| 4.735m/7.695m boom | | 10.655m boom | | 13.565m boom | | 16.475m boom | |
|--------------------|-----------------------|--------------------|-----------------------|--------------------|-----------------------|--------------------|-----------------------|
| Working radius (m) | Total rated load (kg) | Working radius (m) | Total rated load (kg) | Working radius (m) | Total rated load (kg) | Working radius (m) | Total rated load (kg) |
| < 2.7 | 3830 | 3.5 | 3030 | 4.0 | 2230 | 5.0 | 1130 |
| 3.5 | 3030 | 4.0 | 2580 | 4.5 | 1830 | 5.5 | 980 |
| 4.0 | 2580 | 5.0 | 1880 | 5.0 | 1630 | 6.0 | 910 |
| 5.0 | 1880 | 6.0 | 1430 | 6.0 | 1330 | 7.0 | 730 |
| 6.0 | 1430 | 7.0 | 1130 | 7.0 | 1080 | 8.0 | 630 |
| 7.0 | 1160 | 8.0 | 880 | 8.0 | 880 | 9.0 | 550 |
| 7.25 | 1120 | 9.0 | 740 | 9.0 | 730 | 10.0 | 480 |
| | | 10.2 | 490 | 10.0 | 530 | 11.0 | 430 |
| | | | | 11.0 | 480 | 12.0 | 380 |
| | | | | 12.0 | 430 | 13.0 | 330 |
| | | | | 13.1 | 330 | 14.0 | 280 |
| | | | | | | 15.0 | 220 |
| | | | | | | 16.0 | 180 |

Total rated load (4 falls) Outriggers at Minimum position

| 4.735m/7.695m boom | | 10.655m boom | | 13.565m boom | | 16.475m boom | |
|--------------------|-----------------------|--------------------|-----------------------|--------------------|-----------------------|--------------------|-----------------------|
| Working radius (m) | Total rated load (kg) | Working radius (m) | Total rated load (kg) | Working radius (m) | Total rated load (kg) | Working radius (m) | Total rated load (kg) |
| < 2.7 | 3830 | 3.5 | 3030 | 4.0 | 2230 | 5.0 | 1130 |
| 3.5 | 3030 | 4.0 | 2580 | 4.5 | 1830 | 5.5 | 980 |
| 4.0 | 2580 | 5.0 | 1680 | 5.0 | 1630 | 6.0 | 880 |
| 5.0 | 1680 | 6.0 | 1180 | 6.0 | 1180 | 7.0 | 730 |
| 6.0 | 1180 | 7.0 | 880 | 7.0 | 830 | 8.0 | 530 |
| 7.0 | 930 | 8.0 | 730 | 8.0 | 680 | 9.0 | 450 |
| 7.25 | 780 | 9.0 | 580 | 9.0 | 550 | 10.0 | 420 |
| | | 10.2 | 400 | 10.0 | 430 | 11.0 | 370 |
| | | | | 11.0 | 380 | 12.0 | 330 |
| | | | | 12.0 | 350 | 13.0 | 280 |
| | | | | 13.1 | 310 | 14.0 | 240 |
| | | | | | | 15.0 | 190 |
| | | | | | | 16.0 | 150 |



The Total Rated Load Charts are based on the actual working radius including boom deflection. The weight of the hook (standard 4 fall - 30kg) must be included as part of the load shown in the Total Rated Load Charts.

When using two fall or single fall hooks, use the appropriate four fall Total Rated Load Chart above but with a **maximum load** of: Two Fall - 1930kg, Single Fall - 970kg.





Maeda MC405CRM

Technical specifications

Offering the best balance of power and design



- Pick & Carry Duty (500kg maximum)
- Two Travel Speeds
- Programmable Moment Limiter
- 1130kg at 5.0m radius on 16.43m boom
- Rubber Tracks
- Hydrostatic Transmission
- Centralised Controls
- 4 Fall / 2 Fall Hook Block
- Automatic Hook Stowage System
- Tilt Sensor/Alarm
- Powerful Winch with Hydraulic Disc Brake
- Two Speed Winch
- Fully Automatic Pentagonal Section Boom
- Cable Remote Controller

| Specification | | |
|------------------------------|-----------------------------------------------------------------------------------|------------------------------------------------------------------------------------------------------------------------------------------------------------------------------------------------------------------------------------------|
| Model | | MC405CRM |
| Crane capacity | | 3.83t x 2.7m |
| Max. working radius | | 16m |
| Max. lifting height | | 16.8m |
| Hook speed | | 10m / min. (18.0m / min.) (4 falls, 4th layer) |
| Single line speed | | 40m / min. (72.0m / min.) (4th layer) |
| Hoist rope | | IWRC 6 x WS(26) 8mm x 95m |
| Telescopic system | Boom length Telescoping speed Boom type | 4.735m - 16.475m 11.7m / 54.2 sec (41.3sec) Fully automatic 5 section pentagonal telescopic boom |
| Boom hoist system | Hoist angle / speed | 0° - 80° / 24.5 sec (17.0 sec) |
| Slew system | Slew angle / speed | 360° / 2.5 rpm (2.1 rpm) |
| Outrigger system | Type Maximum extended dimensions | Extension and set up by direct acting hydraulic cylinders (Length) 5786mm x (Front) 5118mm x (Rear) 5520mm |
| Traction system | Drive Travel speed Gradability Crawler length x width Ground pressure | Hydraulic motor driven, stepless speed changer 0 - 3.3 km/h 20° 2100mm x 320mm 49.0 (0.50) kpa (kgf/cm ²) |
| Engine | Model Type Rated output Starting method Fuel / Fuel tank capacity | Yanmar 3TNV88-PMB 3 cylinder water cooled diesel 21.8kw/2400min-1 (29.6PS/2400rpm) Electric Diesel/60L |
| Remote control system | Type | Cable remote controller, micro-speed mode, load display for transmitter, outrigger operation |
| Dimensions | Length x Width x Height Weight MC405CRM Weight MC405CRME | 4980mm x 1380mm x 1980mm 5600kg 5750kg |
| Standard equipment | | Overwind protection, load indicator, hydraulic safety valve, wire rope latch, level, machine body inclination alarm, EMO switch, travel lock lever, outrigger interlock device, moment limiter, rotary lamp, 4-fall / 2-fall hook block. |
| Optional equipment | | Radio remote control, white rubber tracks, single fall hook, searcher hook, fly-jib. Electric motor. |