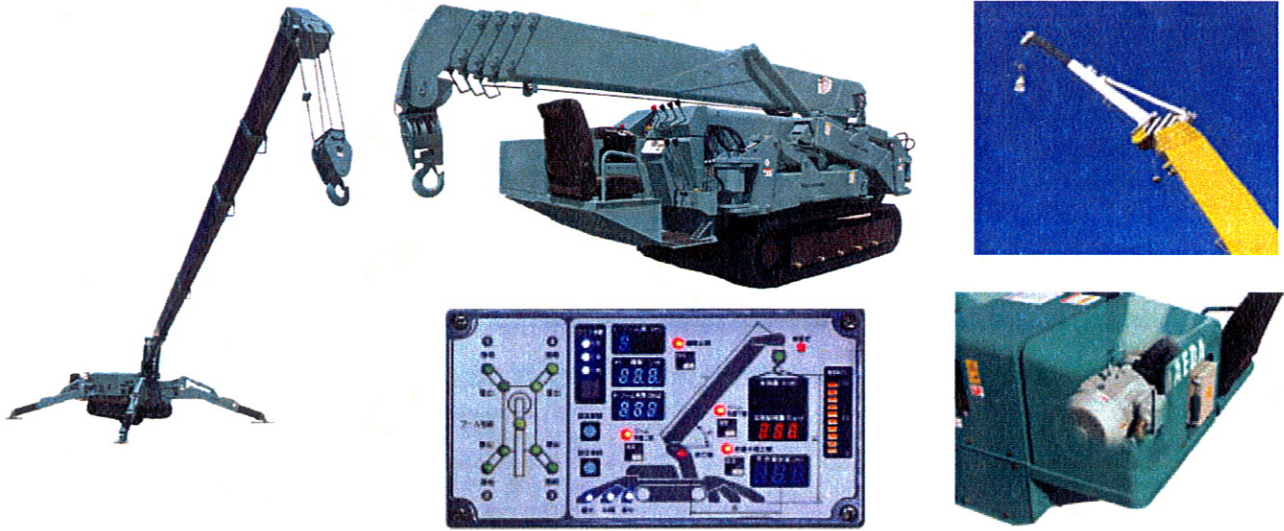


MAEDA MC405 SPECIFICATIONS



Maeda mini crawler cranes
 Maximum working radius - 16m
 Pick and carry duties
 Lifting Capacity 3.83t x 2.7m
 Outrigger Safety System

Model

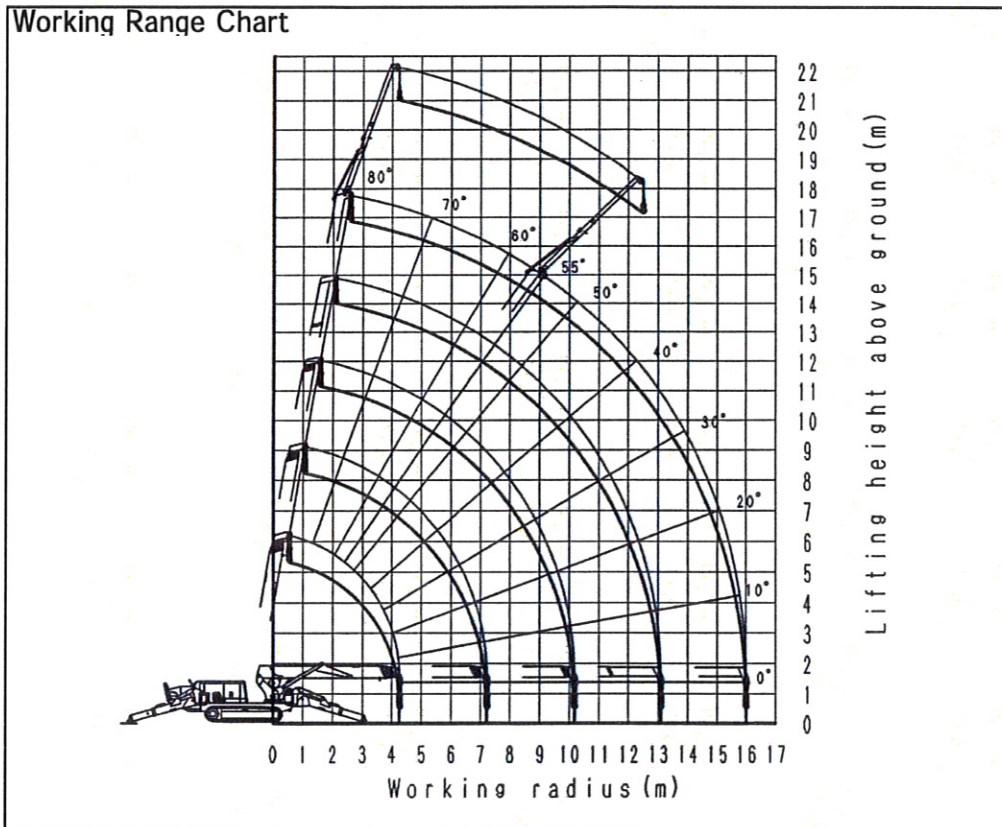
MC-405

Crane Capacity	3.83t x 2.7m
Max. Working Radius	16m x 0.21t
Max. Lifting Height	16.8m
Boom	Fully Automatic 5-section hydraulically pentagonal telescoping boom
Boom Length	4.735 - 16.475 m
Hook Speed	10m/min
Hoist wire rope	IWRC6 x WS(26) Ø8 x 95m
Boom Hoist System	0-80/24.5sec[17.0sec]
Swing System	360/2.1rpm[2.5rpm]
Outrigger Type	Extended Hydraulic Cylinder
Outrigger Max. Extended Width	(lateral)5,786 x (front)5,118x(rear)5,520
Traveling System	Hydraulic motor driven
Traveling Speed	0 - 3.3km/h
Gradability	20°
Fuel/Fuel Tank Capacity	Diesel / 60 L
Engine	Yanmar diesel engine "3TNV88-PMB"21kw/2,400min ⁻¹
Motor	Totally enclosed fan-cooled motor 7.5kw, 4P380V
Remote Control System	Cable Remote Controller
Pick And Carry Capacity	500kg
Dimensions (LXWXH)	4,980 x 1,380 x 1,980 mm
Machine Weight	5,600 kg
Safety Device	Overwind protection, Load indicator, Hydraulic safety valve, Wire rope latch, Level, Machine body inclination alarm, EMO switch, Travel lock lever, Outrigger interlock device, Moment limiter, Rotary lamp
Options	White rubber track, Single fall Hook, Searcher hook, Fly Jib

Due to improvements, the specifications are subject to change without notice.

MAEDA Mini Crawler Crane Series

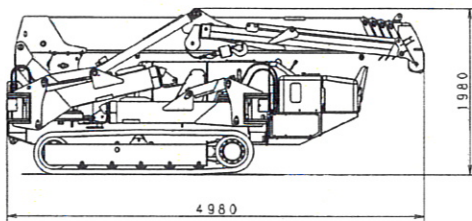
MC405CRM(E) Fly jib



Specification

Model	MC405CRM(E) Fly jib
Capacity	520 kg x 72 deg (single fall)
Max.Lifting height	20.7 m
Max.Woking radius	12.5 m (at 55 deg)
Fly jib length	4.5 m
Winch speed	72 m/min
Fly Jib Spec	Stowed beside boom Can be used by 2 sections only

Dimension



Total Rated Load Chart

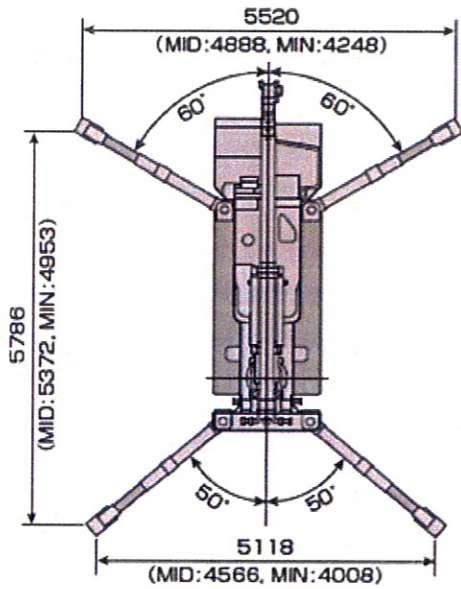
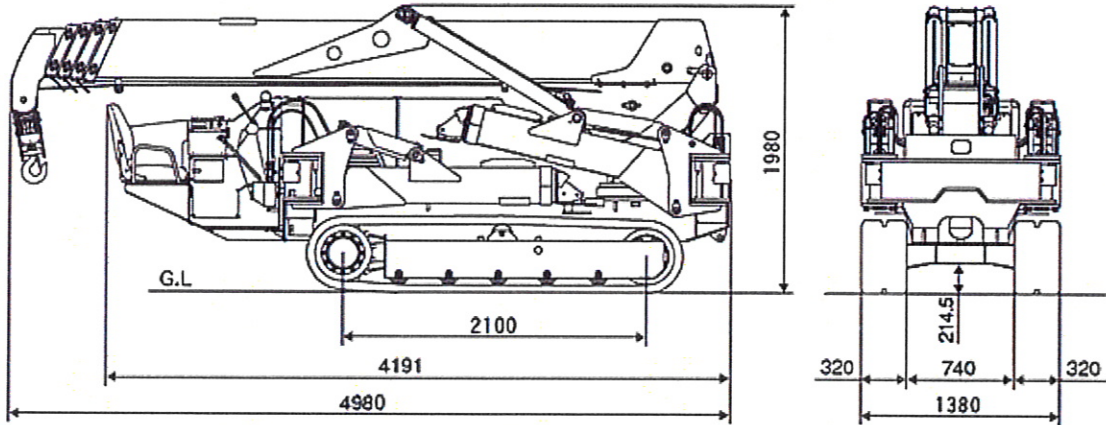
Boom angle (deg)	Total rated load (kg)
76	520
72	520
69	420
66	320
63	250
60	220
55	170

☆Including 20 kg hook block weight

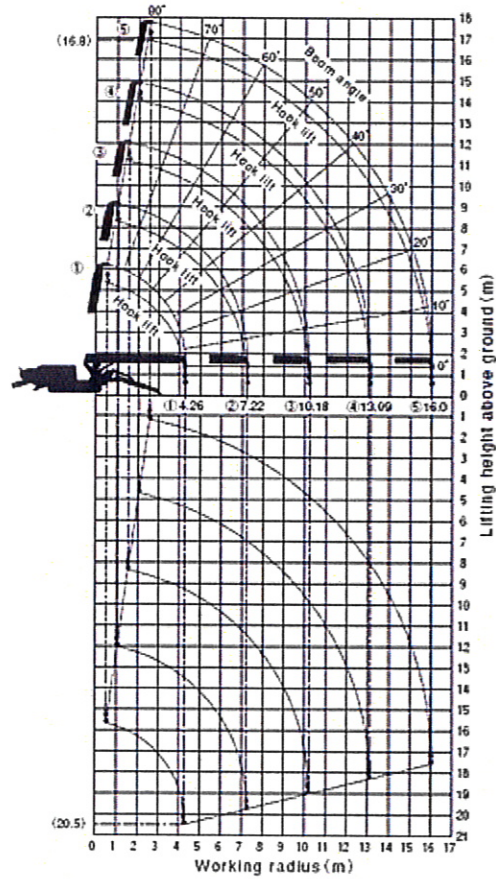
●Due to improvements , the specifications are subject to change without notice.

MAEDA SEISAKUSHO CO., LTD.





Working Range (4 falls)



Total Rated Load Chart (4 falls)

Total Rated Load Chart with outrigger extended to maximum							
4.735m / 7.595m Boom		10.555m Boom		12.555m Boom		16.475m Boom	
Working radius (m)	Total rated load (kg)	Working radius (m)	Total rated load (kg)	Working radius (m)	Total rated load (kg)	Working radius (m)	Total rated load (kg)
2.7 or less	3830	3.5	3030	4.0	2230	5.0	1080
3.5	3030	4.0	2580	4.5	1930	5.5	980
4.0	2580	5.0	2030	5.0	1730	6.0	910
5.0	2030	6.0	1680	6.0	1400	7.0	760
6.0	1630	7.0	1380	7.0	1180	8.0	650
7.0	1380	8.0	1120	8.0	1030	9.0	600
7.25	1330	9.0	880	9.0	930	10.0	550
		10.2	580	10.0	830	11.0	490
				11.0	690	12.0	440
				12.0	530	13.0	380
				13.1	430	14.0	320
						15.0	260
						16.0	210

* The Total Rated Load Chart is based on actual working radius with the bending of boom attributable to load reflected and is shown with the mass of hook (30kg) included.