



Mini Crawler Crane

MC-305C-2

Lifting Capacity : **2.98t × 2.5m**

Maximum Working Radius : **12.16m × 0.26t**

Dimensions (L × W × H) : 4285 × 1280 × 1695mm

Outrigger Safety System

4Fall/2Fall Hook Block

Two Way Remote Controller



Moment Limiter Display



with electric motor spec



MAEDA Mini Crawler Crane MC-305C-2

Specifications

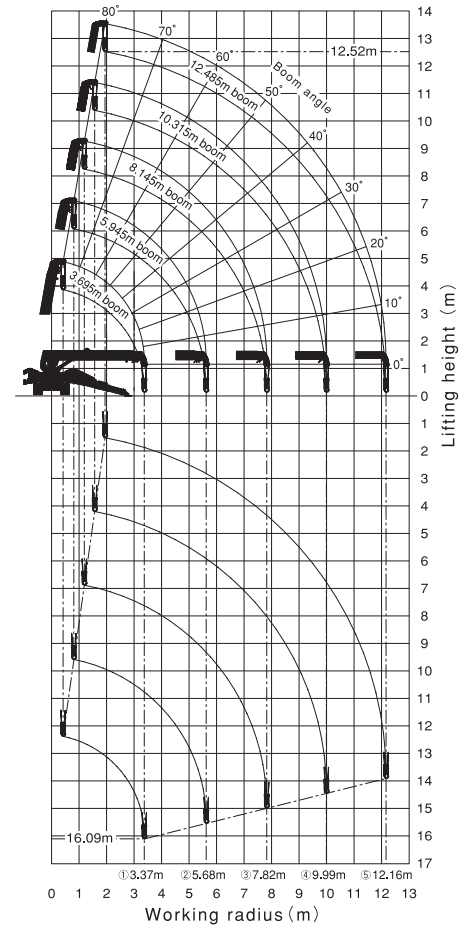
Model		MC-305CRM(E)-2	
Crane capacity		t × m	2.98t × 2.5m
Max. working radius		m × t	12.16m × 0.26t
Max. lifting height (on the ground)		m	12.52m
Max. lifting height (underground)		m	-16.09m
Winch system	Hook speed	m/min	13.5m/min (4 layers 4 falls)
	Hoist wire rope	φ × m	IWRC 6 × WS(26) φ8 × 73m
Telescoping system	Type	Fully automatic 5-section pentagonal telescopic boom	
	Boom length	m	3.695~12.485m
	Boom telescoping stroke / time	m/sec	8.79m/26sec
Boom hoist system	Hoist angle / time	deg/sec	0~80deg/14.5sec
Swing system	swing angle / time	deg/rpm	360deg/2.4rpm
Outrigger system	Type	Extended Hydraulic cylinder direct acting Setting up Hydraulic cylinder direct acting	
	Max. extended width	mm	(Lateral) 4,888 × (Front) 4,504 × (Rear) 4,396
Travel system	Type	Hydraulic motor driven, stepless speed changer	
	Travel speed	km/h	0~2.8
	Gradability	deg	23
	Crawler ground length × width	mm	1750 × 300
Engine	Ground pressure	kpa [kgf/cm ²]	36.3 [0.37]
	Model	YANMAR 3TNV76	
	Displacement	L [cc]	1,115 [1,115]
	Rated output	kw/min ⁻¹ [ps/rpm]	15.2kw/2500min ⁻¹ [20.7PS/2500rpm]
	Starting method	Electric starting	
Fuel / Fuel tank capacity	L	Diesel/40.0	
Motor (MC-305CRME-2)	Motor type	Totally enclosed fan-cooled motor 5.5kw, 4P 200V or 380V	
	Starting system	Inverter system (30Hz-60Hz)	
Remote control system	Type	Cable remote controller	
	Micro/High speed mode	Available	
	Load display for transmitter	Available	
	Outrigger operation	Available	
	Voice	Available	
Overall length × width × height	mm	4,285 × 1,280 × 1,695	
Machine weight	kg	3,900kg (4,040kg with electric motor)	
Safety device	Overwind protection, Load indicator, Hydraulic safety valve, Wire rope latch, Level, Machine body inclination alarm, EMO switch, Travel lock lever, Outrigger interlock device, Moment limiter, Rotary lamp		
Optional equipment	White rubber track, Single fall hook, Searcher hook		

Total Rated Load Chart (4 falls)

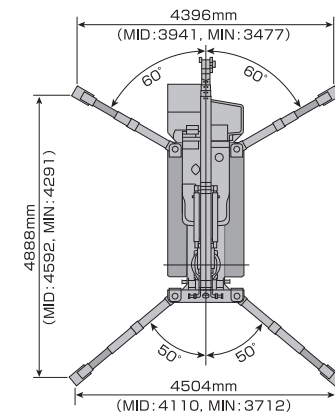
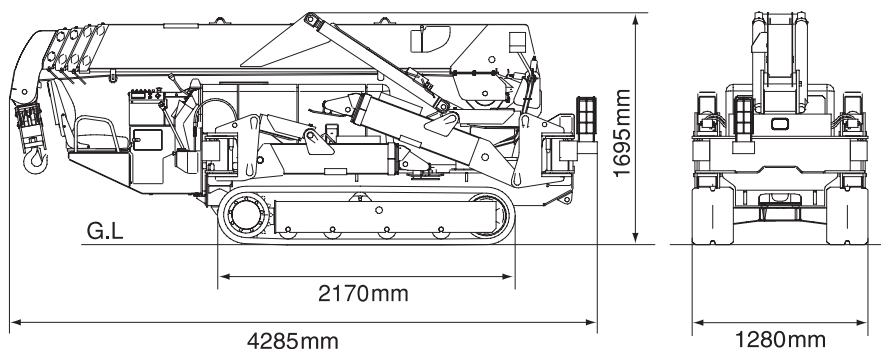
Total Rated Load Chart with outrigger extended to maximum							
5.945m Boom		8.145m Boom		10.315m Boom		12.485m Boom	
Working radius (m)	Total rated load (kg)	Working radius (m)	Total rated load (kg)	Working radius (m)	Total rated load (kg)	Working radius (m)	Total rated load (kg)
2.5 or less	2980	2.7	2270	4.0	1080	4.5 or less	790
3.0	2390	3.0	2120	4.5	985	5.0	660
3.5	1990	3.5	1680	5.0	880	6.0	520
4.0	1710	4.0	1440	6.0	770	7.0	430
4.5	1490	4.5	1260	7.0	670	8.0	380
5.0	1340	5.0	1110	8.0	570	9.0	340
5.62	1160	5.5	990	9.0	500	10.0	310
		6.0	880	9.99	435	11.0	280
		7.0	730			12.16	260
		7.82	630				

* The Total Rated Load Chart is based on actual working radius with the bending of boom attributable to load reflected and is shown with the mass of hook (30kg) included.

Working Range (4 falls)



Dimensions



Before use, please read the Operation Manual

Due to improvements, the specifications are subject to change without notice.



MAEDA SEISAKUSHO CO., LTD.

No.1095, Onbegawa, Shinonoi, Nagano-City, Nagano-Pref. 388-8522 Japan
 Head office TEL. +81 (0)26 292 2228 FAX. +81 (0)26 293 8499
 URL : <http://www.maesei.co.jp/> E-mail : contact@maesei.co.jp